

# HEADSET PANEL EXTENSION LEAD

DAC Limited, Union Mill  
Watt Street, Sabden.  
BB7 9ED  
01282 447000

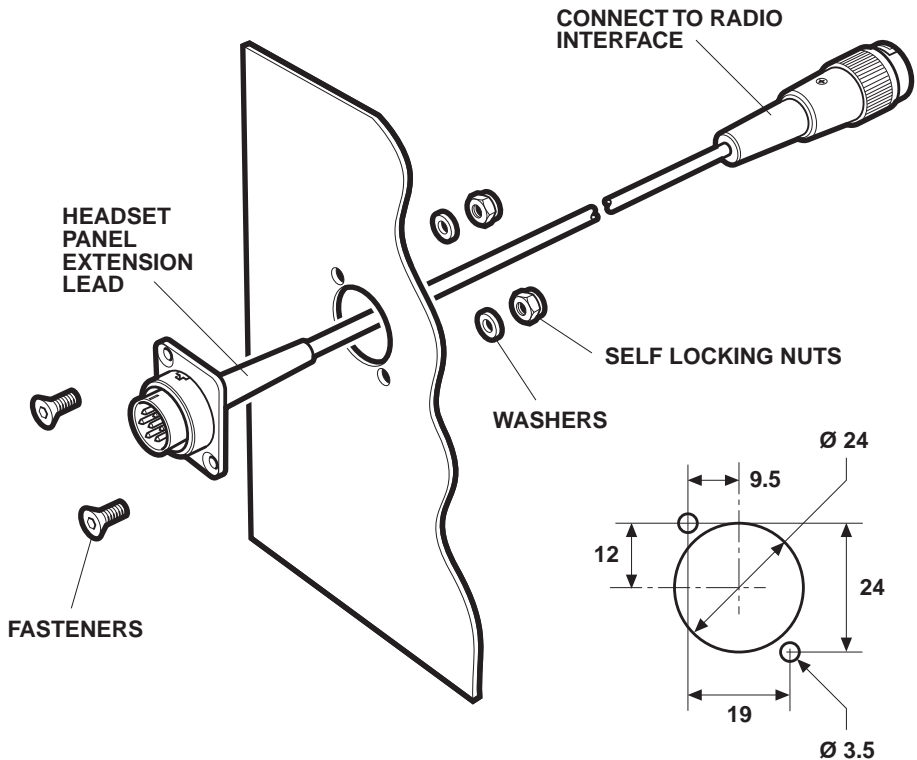
REF: E019-0 13-01-01

## INSTALLATION INSTRUCTIONS

The Headset Panel Extension Lead provides a panel socket for Micro System headsets without the need to terminate plugs and cables.

### NOTE:

Headset Panel Extension Leads are normally one metre long but can be supplied in any length to order.



**IMPORTANT**

READ THIS INFORMATION CAREFULLY BEFORE ATTEMPTING TO USE THIS ITEM OF EQUIPMENT